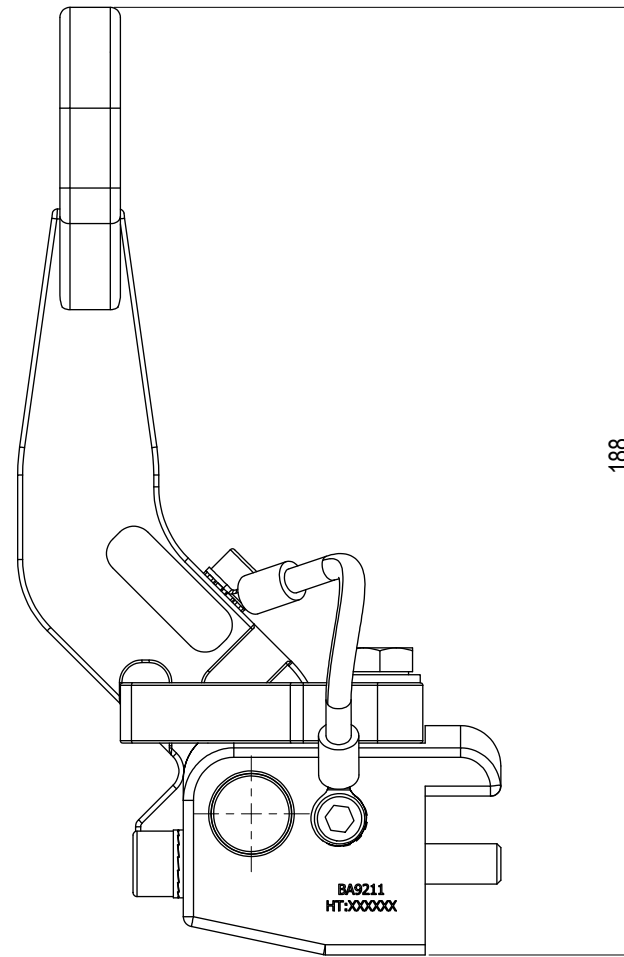
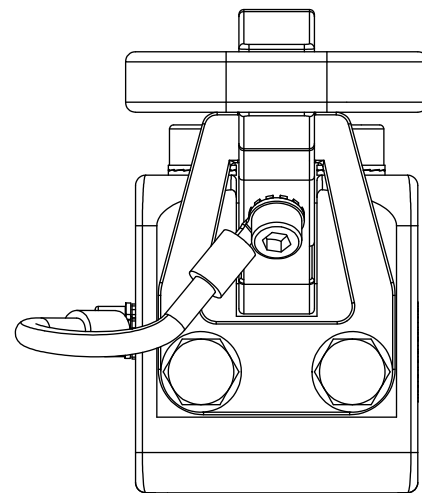
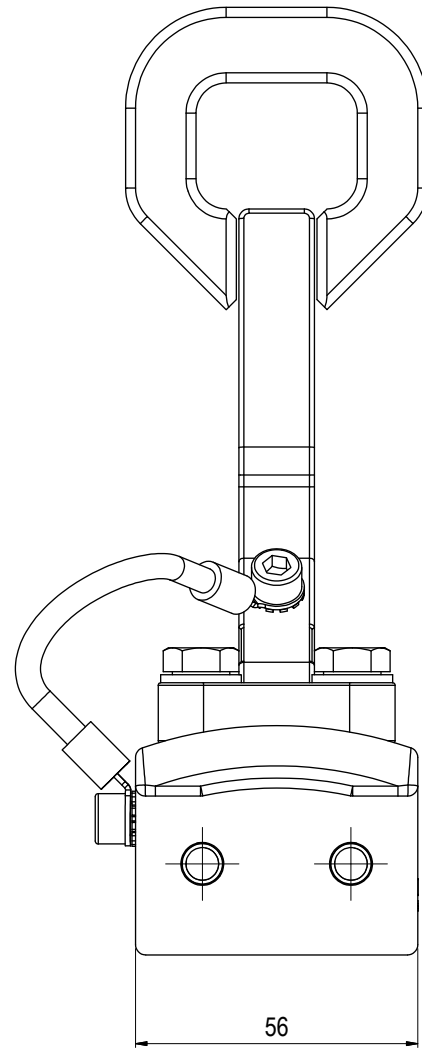


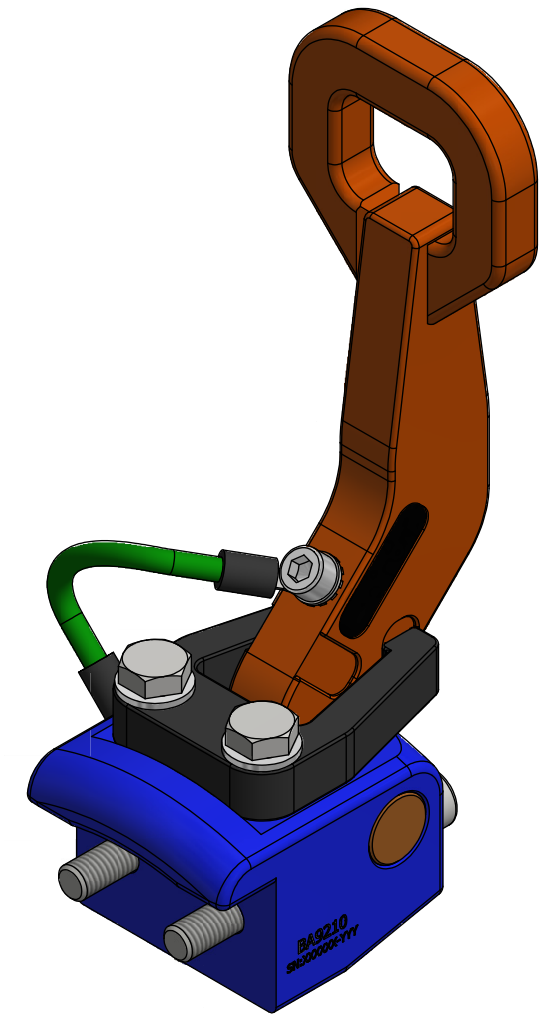
Assembly No. and Serial No. Information



NOTE: 1
DESIGN CODE:
N/A

NOTE: 2
TECHNICAL CLASSIFICATION:
Article Type: 003-Valve Stabs
Main Group: 3.07. Ø55/Ø57-Valvestab
Intermediate Group: 3.42.02. Receptacle
Sub Group: 3.42.103.6. Hexa

NOTE: 3
INTERFACE INFORMATION:
Pressure Rating Bar: N/A
Material: N/A
Weight: 1,5 kg
Volume: 0,2 dm³
Surface Area: 640 cm²
Hydraulic: N/A
Mechanical: N/A
Electrical: N/A
Com. & Protocol: N/A



08	29.4.2021	9-IFU (Issued for Use)
07	25.1.2021	9-IFU (Issued for Use)
06	10.1.2020	9-IFU (Issued for Use)
05	9.9.2019	9-IFU (Issued for Use)
Rev.	Date	Reason for issue

		Revision change
--	--	-----------------

WTJ	HNJ	WTJ
WTJ	LGH	WTJ
WTJ	ANA	HNJ
WTJ	LGH	WTJ
Made	Chk'd	Appr.



Dwg Scale:	NTS
Dwg Proj:	⊕
Dwg Format:	A3

Drawing title:	Lock Mechanism Ø55/Ø57 HP VStab V2 Blue Key
Drawing number:	BA9210
Rev:	08